

Key Features

- Extreme's proprietary DHC-Imaging™ technology for definitive high-contrast license plate capture
- Precision engineered optics captures plates from vehicles moving up to 100mph (~160kph) for high speed applications
- Metaphase LEDs deliver powerful infrared illumination for effective license plate capture up to 75ft (23m)
- Advanced ambient rejection technology solves problems related to glare from sunlight, headlights and high-beams
- 600TVL 1/2" LXR CCD for excellent performance under infrared
- 24/7 license plate capture in day or dark conditions
- Energy efficient operation at 12VDC or 24VAC
- Small, compact housing with covert, installer-friendly design
- Suitable for outdoor use in all-weather conditions
- Long-life LEDs save time and money by eliminating bulb changes
- High-contrast DHC-Imaging™ allows optimal DVR integration or Automatic License Plate Recognition (ALPR) performance
- DHC-Imaging™ technology delivers images of both conventional plates and Digital License Plates (DLPs)

Product Description

REG-L1 - featuring DHC-Imaging™ - delivers advanced performance license plate capture for technical surveillance and represents the third generation of license plate capture solutions from Extreme CCTV. Combining Extreme's latest proprietary technology, DHC-Imaging™ integrates advances in optics, infrared illumination and Ambient Rejection technology to produce high-contrast license plate images characterized by unmatched clarity.

Using solid-state Metaphase-LEDs, REG-L1 achieves an operational range from 12ft to 75ft, previously unattainable for any LED-based capture system. Combined with Extreme's Ambient Rejection technology, REG-L1 provides high-contrast license plate capture across the complete spectrum of ambient lighting conditions from total darkness to direct glare from sunlight or high-beams.

Consisting of a 1/2" LXR CCD, the high speed optical engine within DHC-Imaging™ captures plates from vehicles moving up to 100mph (160kph). REG-L1's breakthrough speed capability now enables effective license plate capture for highway and other high speed applications. Additionally, DHC-Imaging™ has capture capability for not only conventional plates, but also Digital License Plates (DLPs).

REG-L1 is housed in a weather-sealed unit compliant to NEMA4, proven for successful application in extreme environments. The high-efficiency Metaphase-LED array eliminates the need for routine bulb changes while consuming an average of only 24 watts, allowing REG-L1 to operate at either 12VDC or 24VAC.

REG-L1 integrates seamlessly with industry standard DVRs, IP video servers and wireless broad equipment. The DHC-Imaging™ technology is precision engineered to deliver high-contrast images for in intelligent software platforms such as REG-ALERT for Automatic License Plate Recognition (ALPR) applications.

Product Images



REG-L1 delivers definitive high contrast images of license plates. Shown here with EXMB.028B and EXMB.015 bracketry. EXMB.028 (not included) must install with EXMB.015 for pole mount applications.



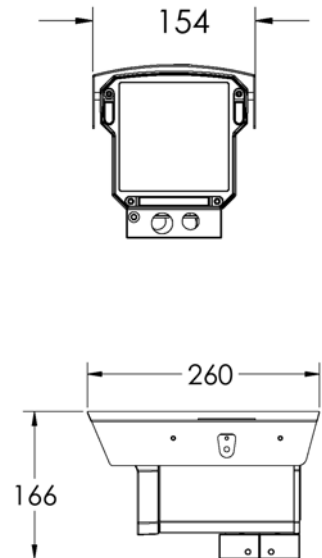
The DHC-Imaging™ technology in REG-L1 captures plates from vehicles moving at up to 100mph under any lighting conditions including highbeam headlight glare.

Applications

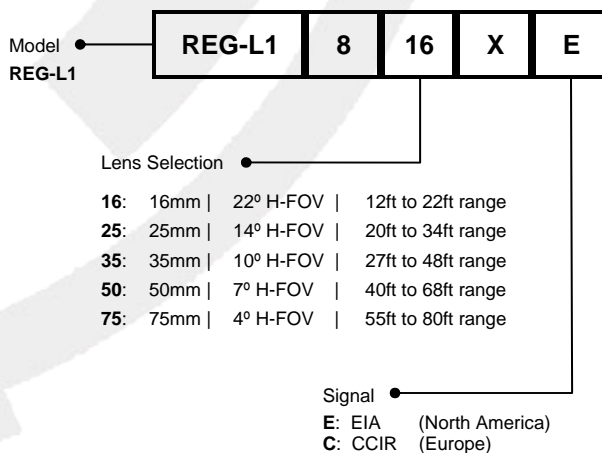
- Government buildings
- Traffic monitoring
- Borders
- Parkades
- Toll Booths
- Airports
- Hotels
- Highways
- Private estates
- Law enforcement
- 12VDC or 24VAC environments
- Digital License Plates (DLP)
- Automatic License Plate Recognition (ALPR) applications

Specifications

REG-L1 License Plate Capture with DHC-Imaging™	
General Specifications	
Sensor	1/2" SX800 Interline LXR CCD
Resolution	600 TVL
Effective Pixels	EIA: 811 (H) x 508 (V)
S/N Ratio	Greater than 48dB
Video Output	High-contrast, 1 V p-p @ 75 ohm
Sensitivity	Zero lux - works in total darkness
Infrared Illumination	850nm
LEDs	Metaphase-type LEDs, high-efficiency array
Power Requirements	12VDC, 3.0A or 24VAC, 1.5A
Power Consumption	Average: 24W (2A @ 12VDC) or 24W (1A @ 24VAC)
Color	Black standard
Construction	Robust cast and extruded aluminum, NEMA 4 compliant
Operating Temperature	-50°C to 50°C -58°F to 122°F
Environmental	Integral heater and sunshield
Weight	4.8 kg 10.6 lbs
Dimensions	260mm L x 154mm W x 166mm H 10.2" L x 6.1" W x 6.5" H
Bracketry	Select from optional accessories
Power Supply	Select from optional accessories
Lens Selection	
Lens Options	16mm 25mm 35mm 50mm 75mm
Horizontal Field of View	22° 14° 10° 7° 4°
Operational Range	12-22ft 20-34ft 27-48ft 40-68ft 55-80ft



Part Numbers



Optional Accessories

- REG-PS1** Power supply 120VAC to 12VDC or 24VAC
- [EXMB.028](#) Cable managed wall bracket
- [EXMB.029](#) U-Bracket
- [EXMB.015](#) Pole Mount Adapter (Must use with EXMB.028)
- [EXMB.017](#) Wall Mount Adapter (Must use with EXMB.028)
- [EXMB.061](#) Pole Top Bracket

Note:
 Extreme CCTV power supply units for in-field REG-SLxxx models and existing cabling may be used with REG-L1.