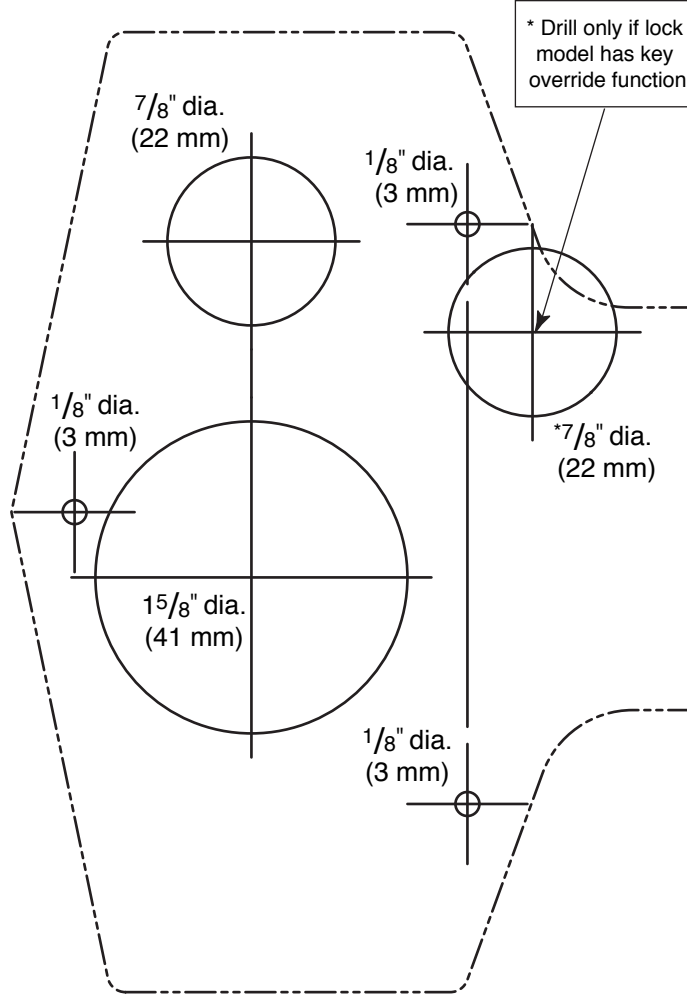


Door handing should be determined before door prep is started to avoid incorrect door preparation.

TOP FOR RIGHT HAND DOORS

Attach to inside surface of shut door



Attach to inside surface of shut door

TOP FOR LEFT HAND DOORS

Door handing should be determined before door prep is started to avoid incorrect door preparation.

SERIES 900 TEMPLATE

PKG2348E 0307

**REFERENCE ONLY, NOT TO SCALE
DO NOT USE AS A DRILLING TEMPLATE
CONTACT CUSTOMER SUPPORT**



Fold along dash line for outswing door or if you are using a riser plate on an inswing door
Fold along solid line for inswing door (no riser plate) See step 2 in instructions